

SK1N

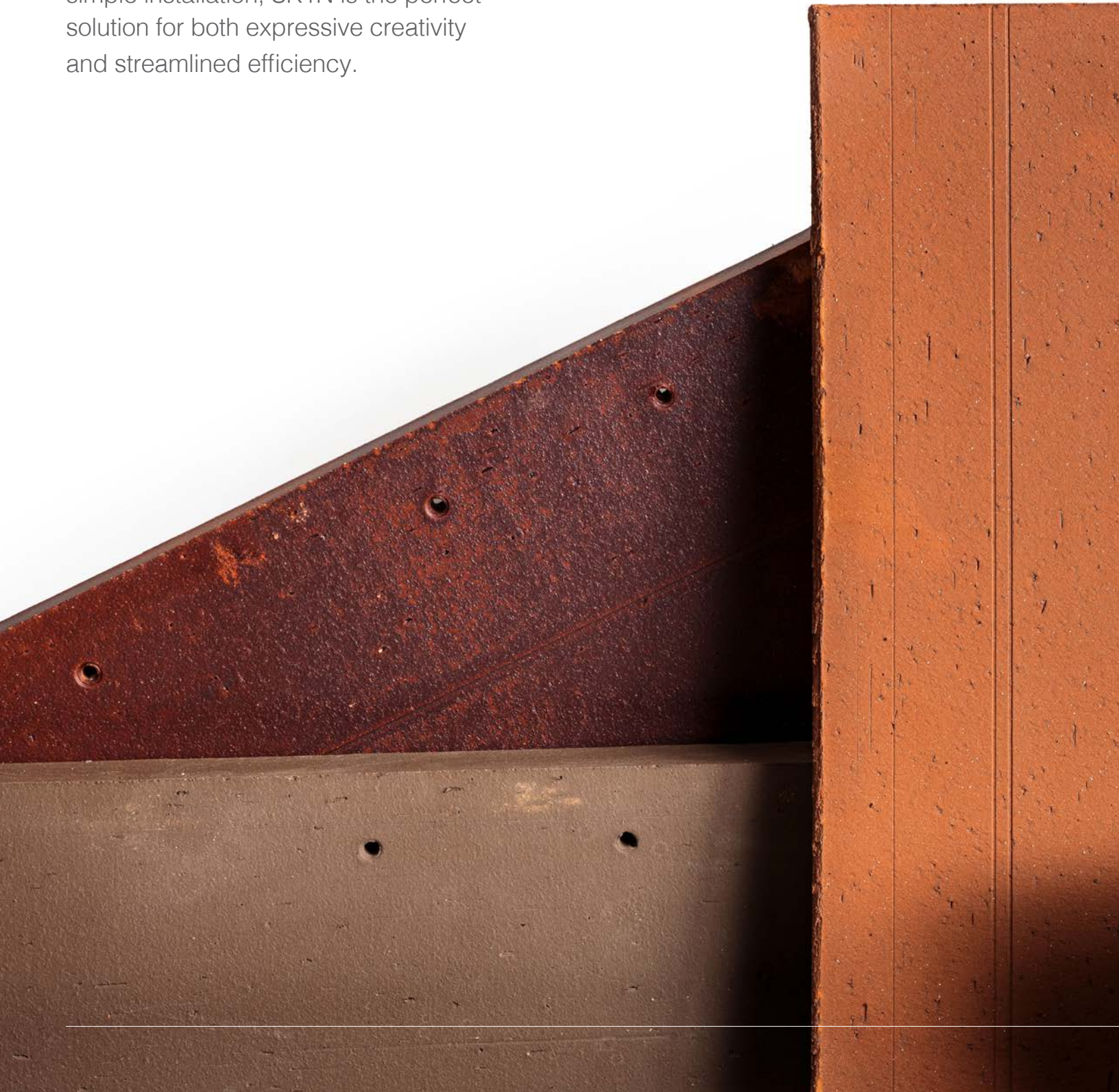
—
Terracotta Cladding System



Seamless Creativity

—
SK1N is a unifying design system that adapts to your architectural vision and the environment it lives within.

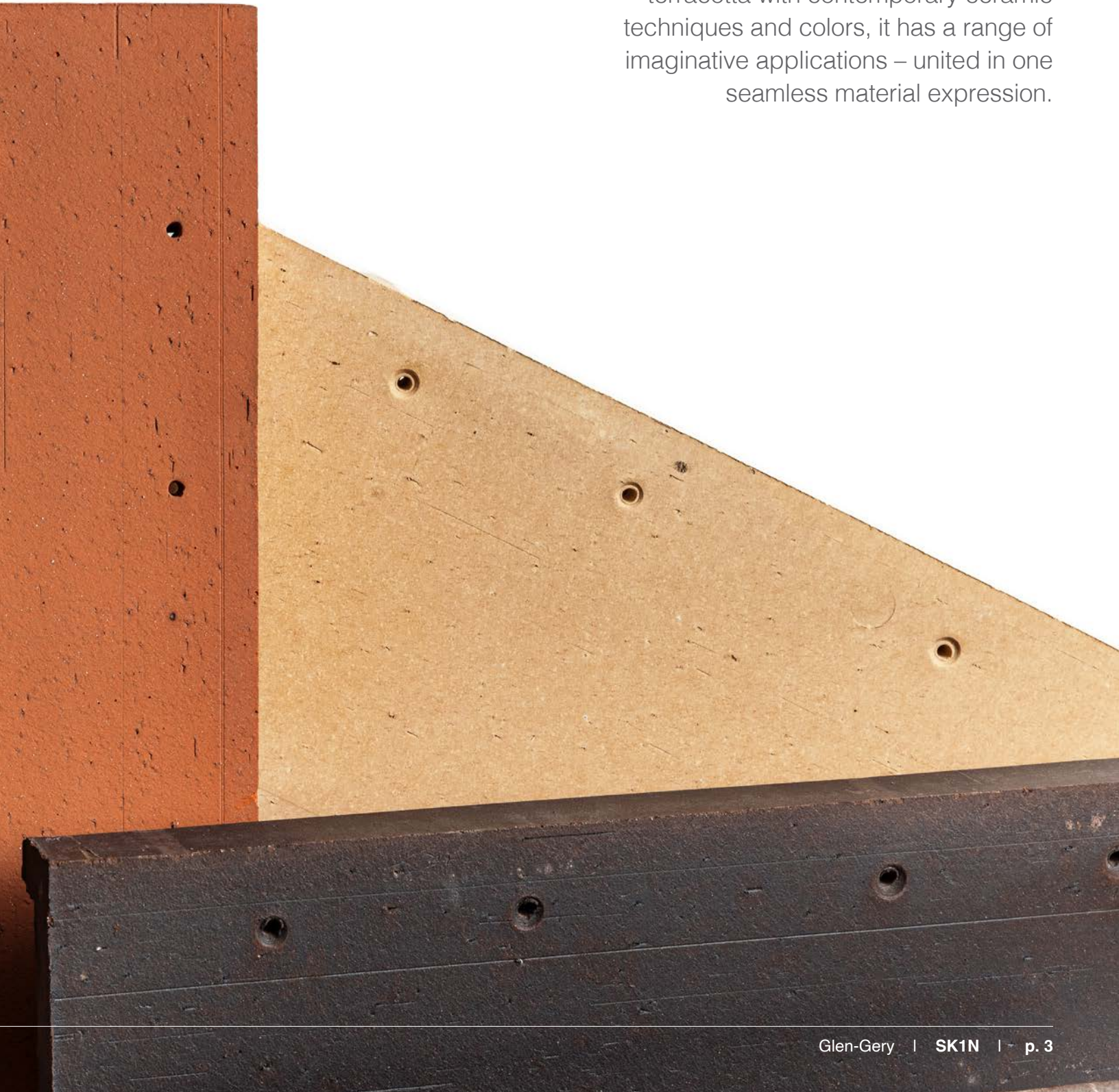
Characterized by genuine versatility and simple installation, SK1N is the perfect solution for both expressive creativity and streamlined efficiency.



The Design

Developed in Italy – SK1N’s DNA is intimately connected to timeless and iconic European craftsmanship.

Combining the enduring beauty of terracotta with contemporary ceramic techniques and colors, it has a range of imaginative applications – united in one seamless material expression.



Features

Timeless colors, decades of durability, and with a strong horizontal design emphasis, SK1N tiles will resist damage caused by termites or other wood-boring insects; will resist damage caused by hail, sleet, or freezing rain in winds under 60mph; and will not rot, crack, warp, split, break or otherwise become materially impaired under conditions of normal use.

Here's what makes SK1N so unique:



Adaptable application

SK1N's functionality makes it ideal for vertical applications.



Bold color for life

Offering seven highly appealing colors, SK1N's original palette of fired clay tiles is inspired by nature.



Location flexibility

Offers outstanding design potential for urban or rural projects.



Bespoke finishes

Each SK1N tile is truly unique due to diversity of color and texture.



Non-combustible

SK1N tiles are made from fired clay so they are non combustible.



Natural Made

From natural materials, SK1N emits no VOCs.



Sustainably thoughtful

SK1N is entirely recyclable and reusable.



Rain screen

Rear ventilated facade offers great thermal benefits.



Easy installation

SK1N is fast, secure, and genuinely uncomplicated to install.



Enduring quality

With a 50 year warranty¹, SK1N tiles are colorfast, durable and low maintenance.

¹See SK1N System Limited Warranty for complete details. SK1N tiles are manufactured, supplied, and warranted by S. Anselmo



Colors

Alento

Dappled sunlight on silver sands was the inspiration for the tactile and relaxing tones embodied in each tile – perfect for beachside projects, but at home anywhere.



Livenza

Elegant and gentle, this tranquil grey lifts solid forms to give the impression of gently floating planes.



Savio

A subtle grey surface wash effect gives this classic terracotta colored tile a delightfully softer and subtly variable tone.



Tesino

Vibrant and welcoming, this classic terracotta orange color creates a delicate color plane.

Potenza

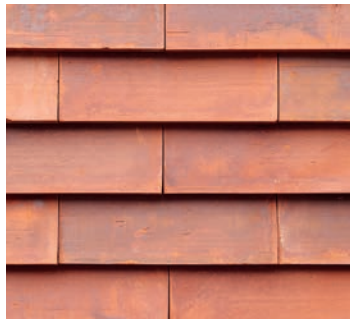
A warm, inviting, and comforting classical terracotta tone that originated in Sienna, Italy during the Renaissance.

Chienti

Chienti's light brown tone is reminiscent of aged natural wood, with a highly appealing and timeless, natural feel.

Piave

A rich, earthy charcoal tone which works across cool and warm color schemes to create a subtly variegated impression.



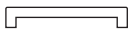
All SK1N colors will feature natural variation between tiles in the blend. Crafted from natural clay that is kiln fired, there will be some variation between product batches which should be understood when ordering the product. We recommend current product samples be viewed before making your final selection.

Tile Profiles

SK1N is available in two distinct profiles giving you the flexibility to create your own unique finish and style.

SK1N tiles are extruded from traditional clay and fired at extreme temperatures providing a low maintenance cladding which is non-combustible, durable and color fast. The end result is a natural aesthetic, designed to outlast the harsh weathering of nearly any environment.

U Profile



When using the U profile, the product's nose sits more pronounced and creates greater emphasis on horizontal lines running across the facade.

Dimensions	500 x 210 x 35 mm	19-11/16" x 8-1/4" x 1-3/8"
Tiles / unit area	11.8 pcs/m ²	1.1 pcs/ft ² (each tile covers .91 ft ²)
Weight per tile	3.8 kg	8.4 lb
Weight / unit area (Inc. 43 mil [20 ga.] channel (hat) furring)	48.3 kg	10.46 lb/ft ²
Tile overlap	40 mm	1-9/16"
Horizontal furring/batten distance	170 mm	6-11/16"

L Profile



The L profile allows the product to sit flatter across the facade and results in subtle lines running across the facade.

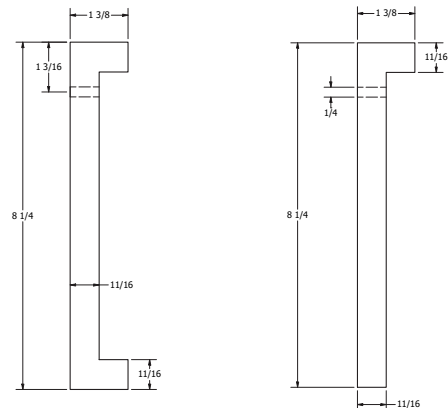
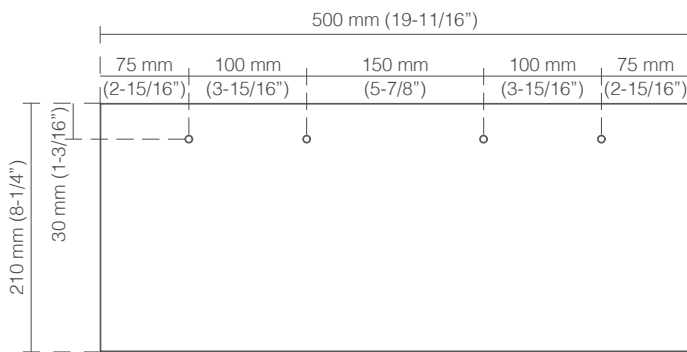
Dimensions	500 x 210 x 35 mm	19-11/16" x 8-1/4" x 1-3/8"
Tiles / unit area	11.8 pcs/m ²	1.1 pcs/ft ² (each tile covers .91 ft ²)
Weight per tile	3.2 kg	7.1 lb
Weight / unit area (Inc. 43 mil [20 ga.] channel (hat) furring)	41.2 kg	8.84 lb/ft ²
Tile overlap	40 mm	1-9/16"
Horizontal furring/batten distance	170 mm	6-11/16"

Technical Guide¹

SK1N is suitable for any type of building envelope. The SK1N tiles are installed onto horizontal top hats with each tile firmly screwed or fixed. All horizontal joints are overlapped, while vertical joints are variable for maximum visual effect. SK1N is a rear ventilated rain screen cladding system designed to be installed over a waterproofed structure.



Tile Specifications



Dimensions in inches

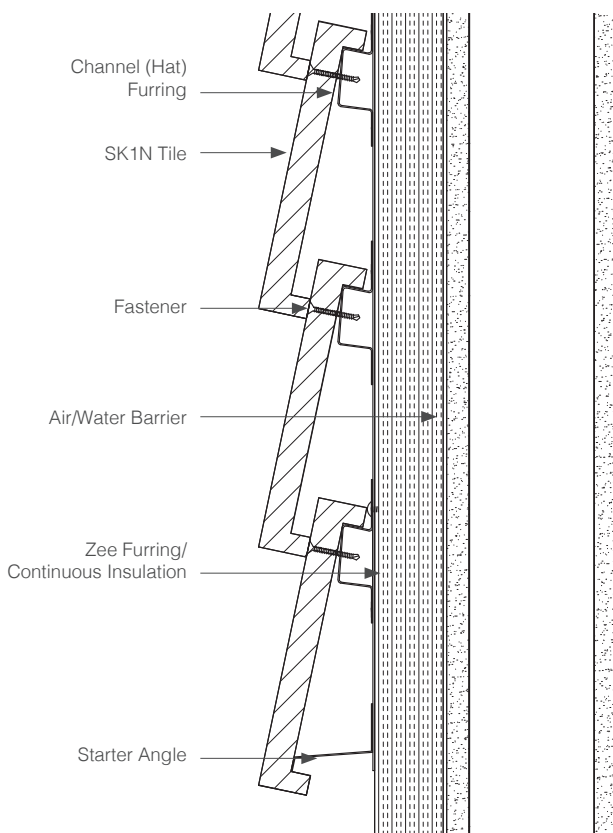
¹ See Technical Manual for further details. SK1N System should be designed and installed only by qualified professionals.



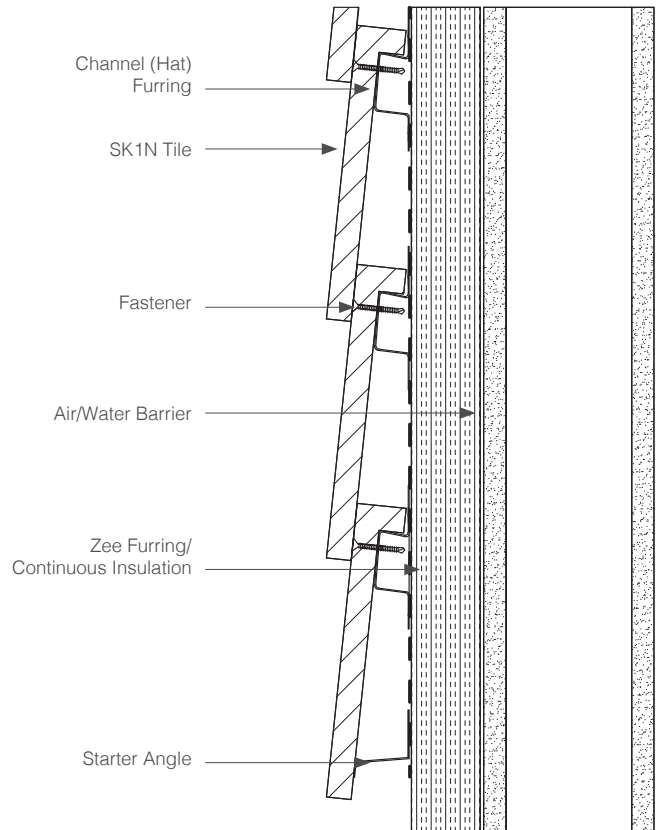
Walls

The SK1N system is suitable for installation on building walls with metal stud backings. Steel channel (hat) furring is installed over a water-resistive barrier membrane before tiles are fastened with two screws.

U Profile with Channel (Hat) Furring



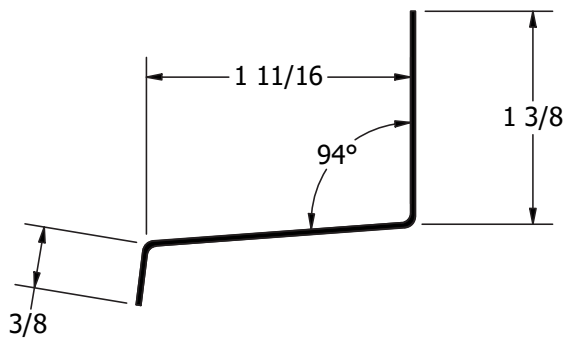
L Profile with Channel (Hat) Furring



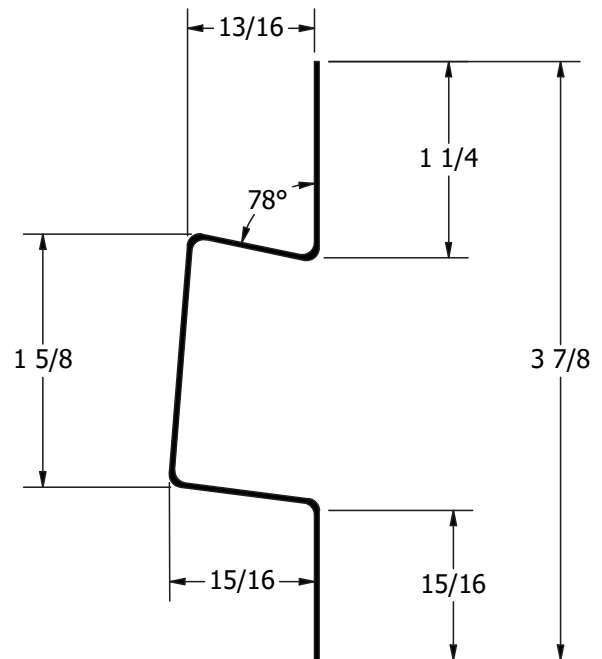
System Components

A starter angle is available for both the U and L profiles. A Channel (hat) furring is also available for mounting each tile.

SK1N Starter Angle



Steel channel (hat) furring



Dimensions in inches

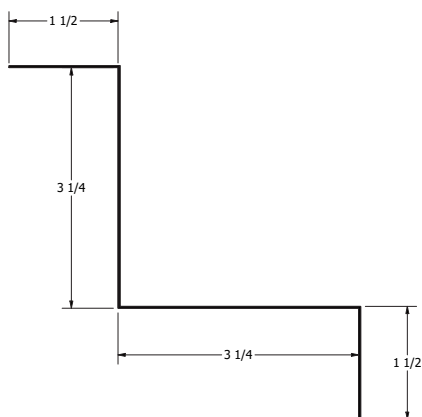
Ease of Installation

SK1N offers an easy installation with minimal components that is fast, secure and simple to install.

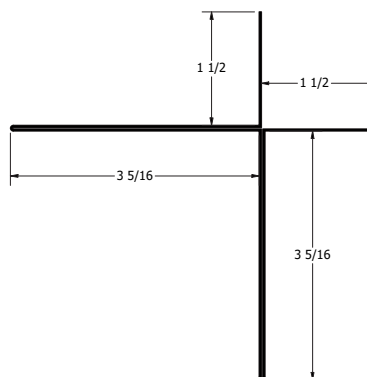
For more information on installation and to calculate materials needed, please visit: www.glengery.com/sk1n

Corner Trim Options

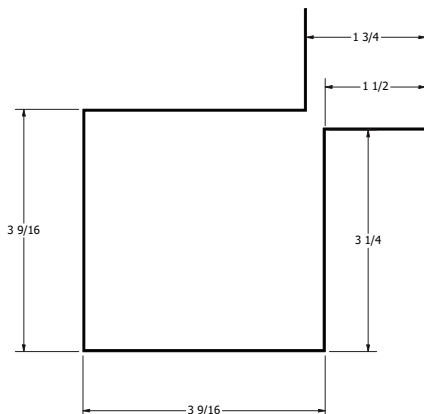
Internal Corner Trim



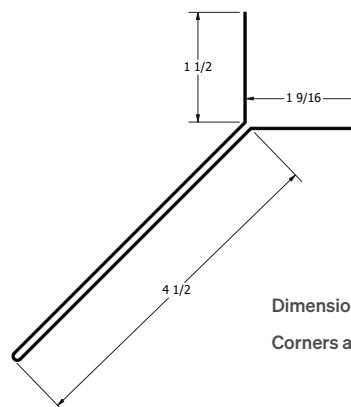
Inwards External Corner Trim



Outwards External Corner Trim



Y Fin External Corner Trim



Dimensions in inches
Corners are unpainted Galvanized Steel





Discover the possibilities at [glengery.com](https://www.glengery.com)

A BRAND OF

BRICKWORKS

Due to printing limitations, color and texture may vary from actual product. Final selection should always be based on an actual product sample. For more information, contact your Glen-Gery representative. © 2026 Glen-Gery Corporation • 5/25