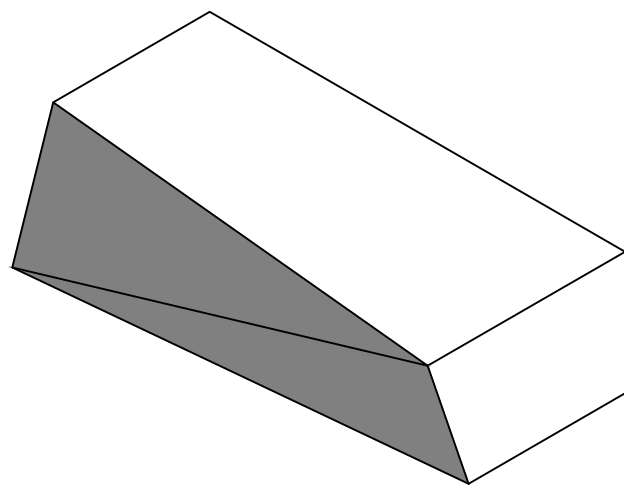
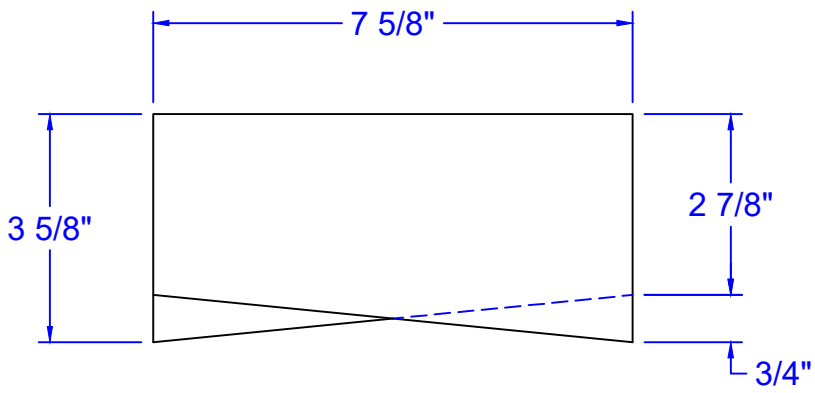
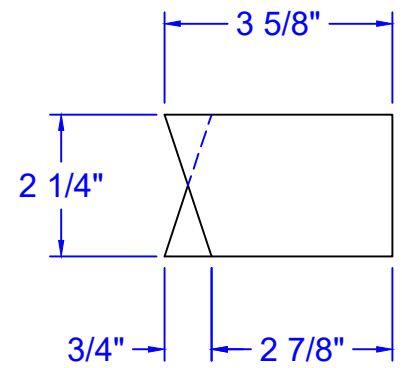
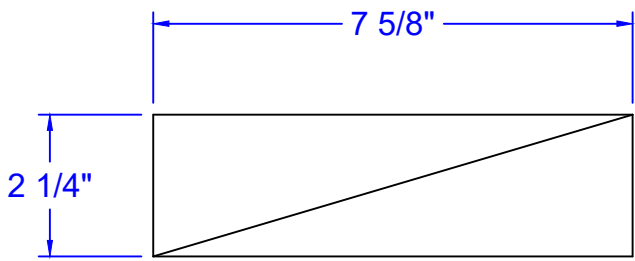



This drawing has been reviewed for dimensions, faces, and specifications and I agree to them.

Signature _____ Title _____ Date _____

Qty : _____



 INDICATES FINISHED FACES

DRAWING: **FACET STRETCHER**
7 5/8" x 3 5/8" x 2 1/4"

PROJECT: **SHAPES CONTEST WINNER**

PAGE: 3 DATE: 19 AUGUST 24

ARCHITECT:

CUSTOMER:

SALES REP:

SALES OFFICE:

PLANT: MID-ATLANTIC

BRICK NAME:

BRICK TYPE: MOLDED

TEXTURE: SAND

NUMBER OF FINISHED FACES: 2

TEXTURE DIRECTION: PLANT OPTION

CORING: PLANT OPTION

SIZE: STD. MOD. BOND:

ASTM STANDARD:

COMPUTER FILE: Y824XX3

DRAWN BY: KEVIN LINDSTROM

This document is the property of GLEN-GERY CORPORATION and may not be reproduced without written permission from the appropriate Glen-Gery Representative. The contents of this document are advisory only. Responsibility for accuracy and applicability lies entirely with the Project Designer and/or Owner.