

This drawing has been reviewed for dimensions, faces, and specifications and I agree to them.

Qty : \_\_\_\_\_

Signature \_\_\_\_\_ Title \_\_\_\_\_ Date \_\_\_\_\_



DRAWING:  
**RA-EX-S FOR  
 2'-10 5/8" EXTERIOR RAD.**

PROJECT: \_\_\_\_\_

PAGE: \_\_\_\_\_ DATE: \_\_\_\_\_

ARCHITECT: \_\_\_\_\_

CUSTOMER: \_\_\_\_\_

SALES REP: \_\_\_\_\_

SALES OFFICE: \_\_\_\_\_

PLANT: \_\_\_\_\_

BRICK NAME: \_\_\_\_\_

BRICK TYPE: \_\_\_\_\_

TEXTURE: \_\_\_\_\_

NUMBER OF FINISHED FACES: \_\_\_\_\_

TEXTURE DIRECTION: \_\_\_\_\_

CORING: \_\_\_\_\_

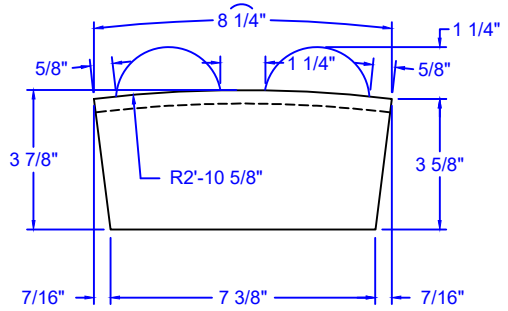
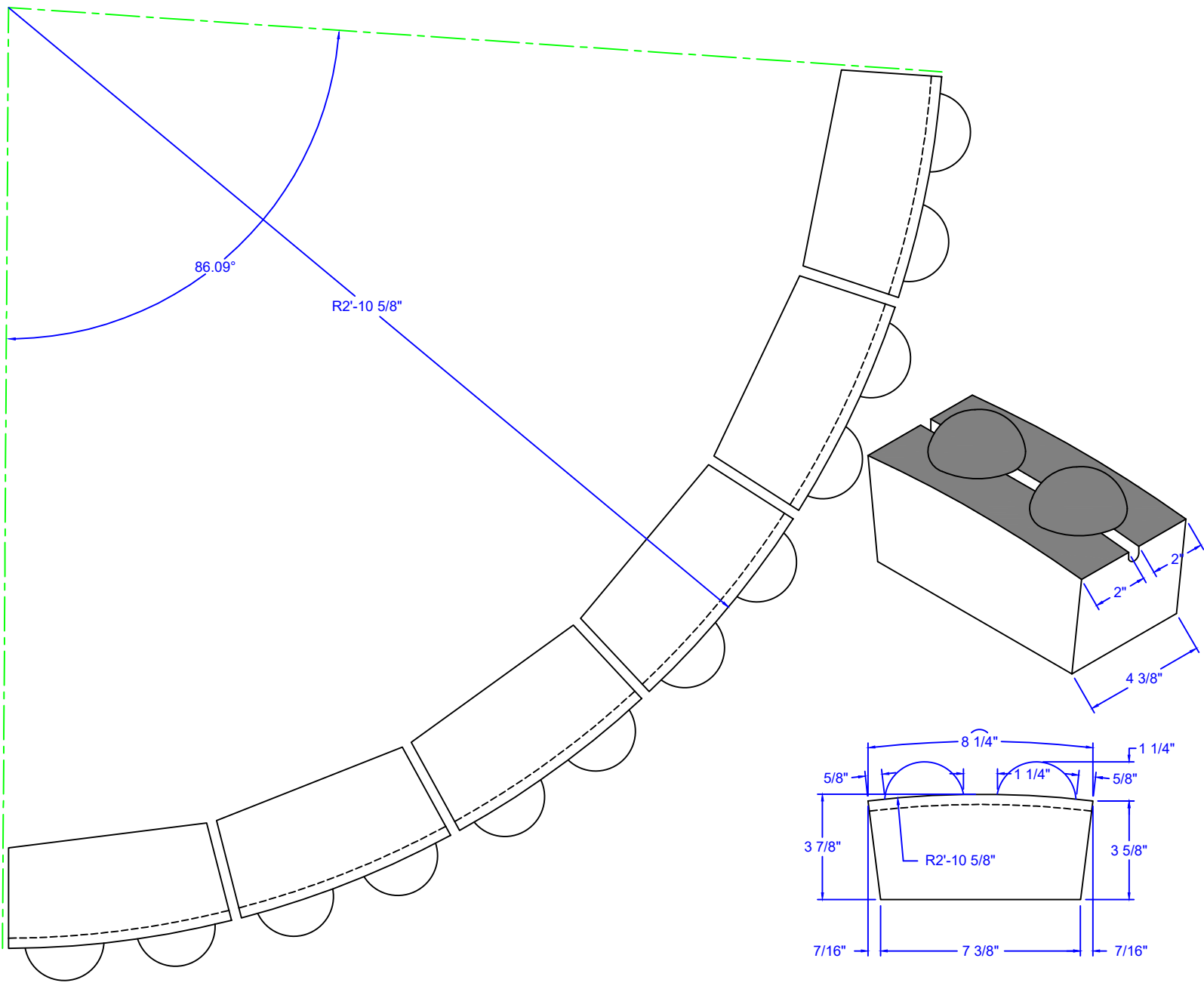
SIZE: \_\_\_\_\_ BOND: \_\_\_\_\_

ASTM STANDARD: \_\_\_\_\_

COMPUTER FILE: \_\_\_\_\_

DRAWN BY: \_\_\_\_\_

This document is the property of GLEN-GERY CORPORATION and may not be reproduced without written permission from the appropriate Glen-Gery Representative. The contents of this document are advisory only. Responsibility for accuracy and applicability lies entirely with the Project Designer and/or Owner.



INDICATES FINISHED FACES