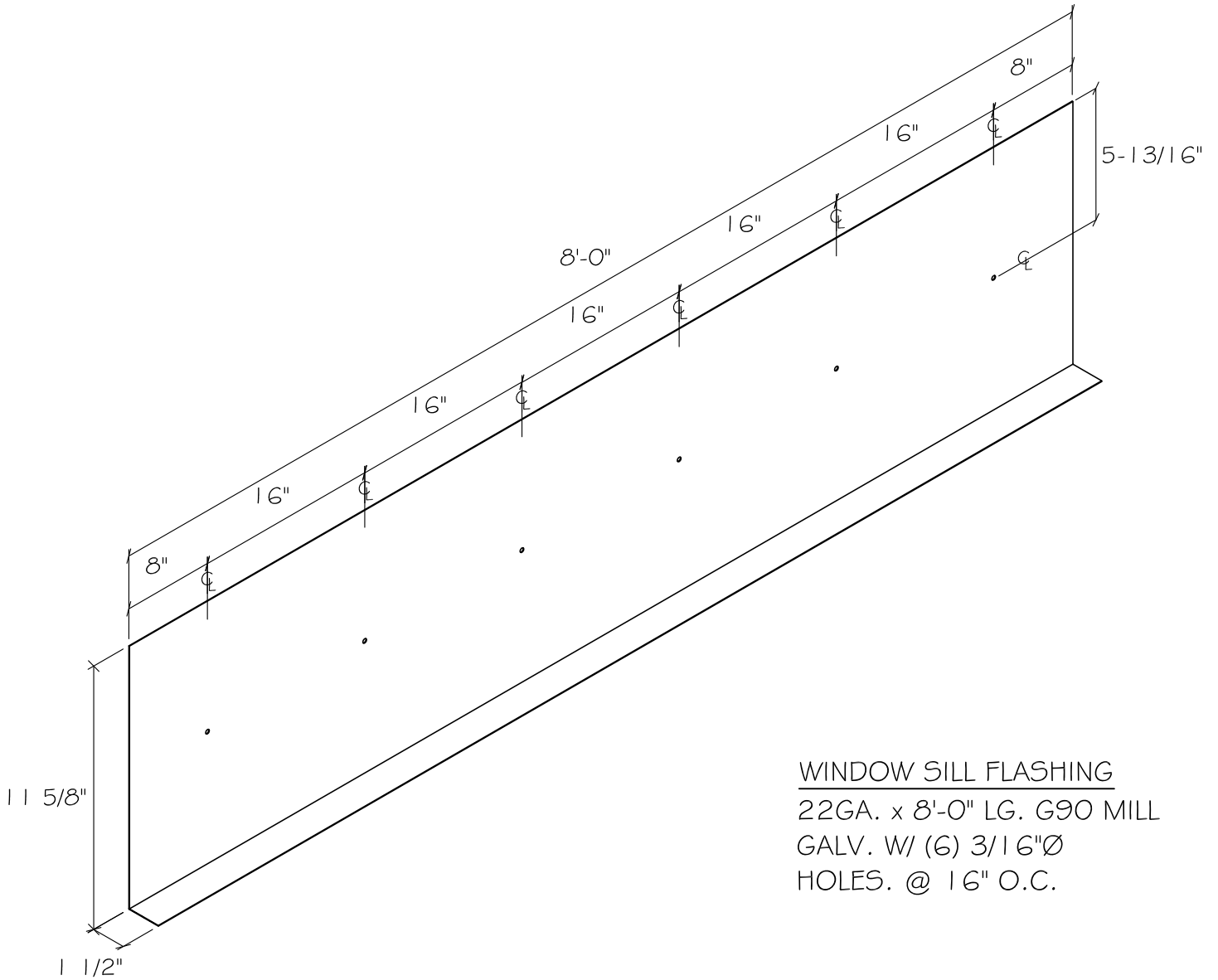




THIN TECH[®]



WINDOW SILL FLASHING
 22GA. x 8'-0" LG. G90 MILL
 GALV. W/ (6) 3/16"Ø
 HOLES. @ 16" O.C.

PIECE QUANTITY:	PROJECT:	NO:
	LOCATION: NEW YORK, NEW YORK	WF-4
	C/O: GLEN - GERY	ISSUE DATE: 01/03/12
DESCRIPTION: "STANDARD COMPONENT PART SHEET"		SCALE: N.T.S.