

This drawing has been reviewed for dimensions, faces, and specifications and I agree to them.

Qty : _____

CATALOG SHAPE

Signature _____ Title _____ Date _____



DRAWING:
O1-EX STD. MOD.
135° EXTERIOR CORNER

PROJECT:

PAGE: 1 DATE: 3 JAN 18

ARCHITECT:

CUSTOMER:

SALES REP:

SALES OFFICE:

PLANT:

BRICK NAME:

BRICK TYPE:

TEXTURE:

NUMBER OF FINISHED FACES: 2

TEXTURE DIRECTION: PLANT OPTION

CORING: PLANT OPTION

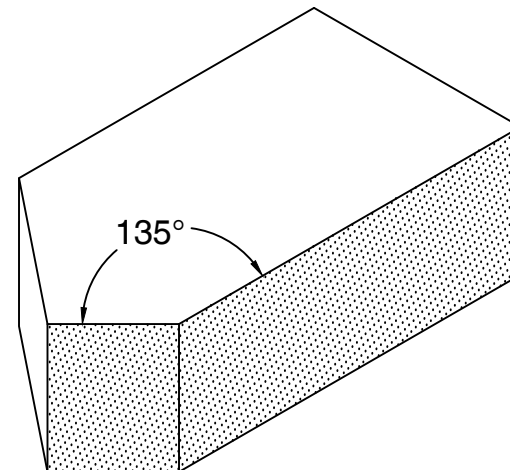
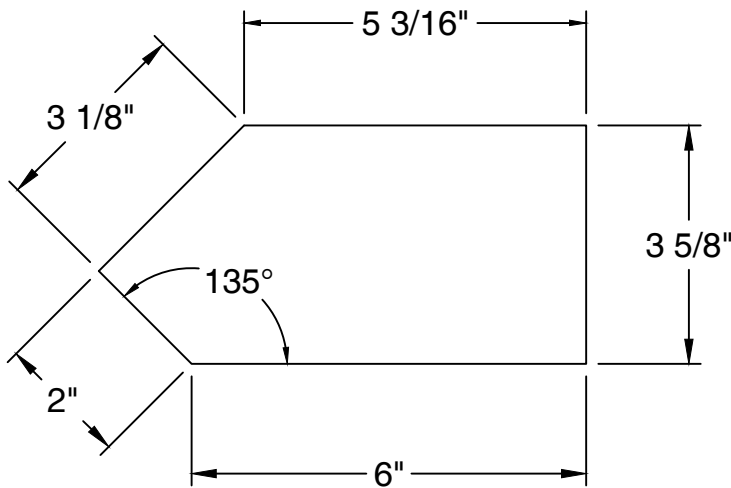
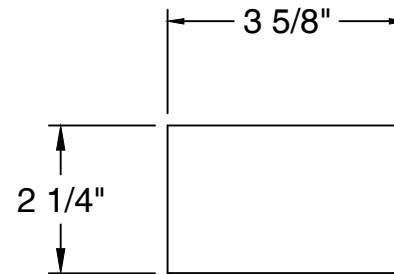
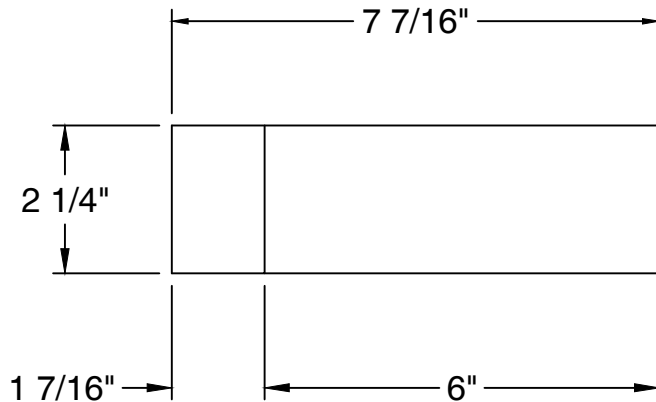
SIZE: STD. MOD. BOND:

ASTM STANDARD: C216, FBS, SW

COMPUTER FILE: O1-EX-STDMOD

DRAWN BY: KEVIN LINDSTROM

This document is the property of GLEN-GERY CORPORATION and may not be reproduced without written permission from the appropriate Glen-Gery Representative. The contents of this document are advisory only. Responsibility for accuracy and applicability lies entirely with the Project Designer and/or Owner.



 INDICATES FINISHED FACES