

This drawing has been reviewed for dimensions, faces, and specifications and I agree to them.

Qty : _____

Signature _____ Title _____ Date _____



DRAWING:
W3-H THIN BICK
3 5/8" x 3 5/8"

PROJECT:

PAGE: 1 of 1 DATE: 27 MAR 18

ARCHITECT:

CUSTOMER:

SALES REP:

SALES OFFICE:

PLANT:

BRICK NAME:

BRICK TYPE: EXTRUDED

TEXTURE: WIRE CUT

NUMBER OF FINISHED FACES: 3

TEXTURE DIRECTION: PLANT OPTION

CORING: PLANT OPTION

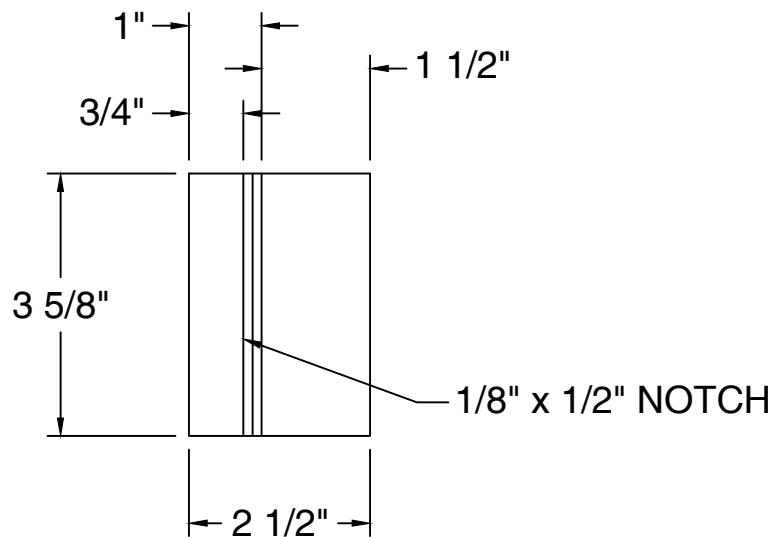
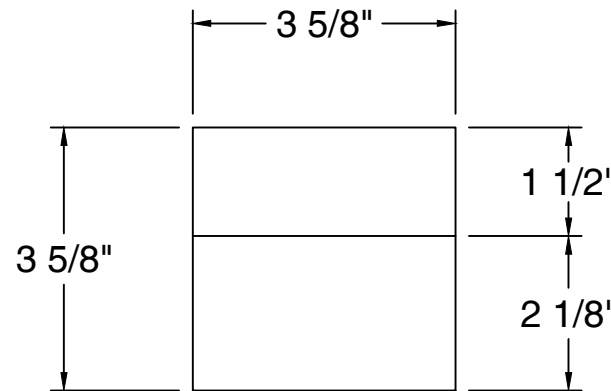
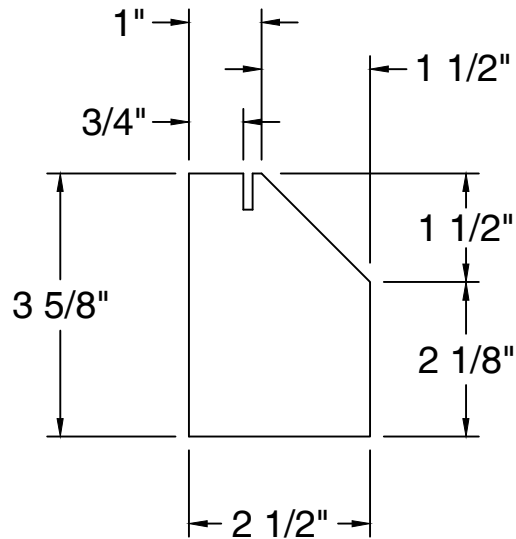
SIZE: UTILITY BOND:

ASTM STANDARD: C216, TBS, SW

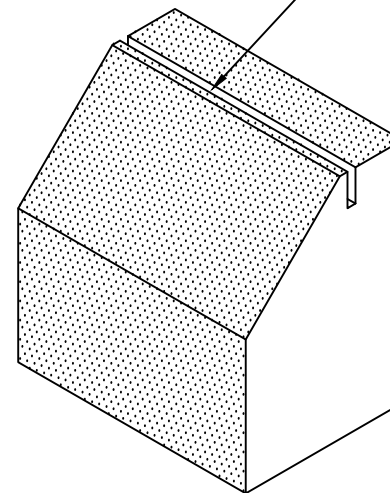
COMPUTER FILE: Y318JJJ7

DRAWN BY: KEVIN LINDSTROM

This document is the property of GLEN-GERY CORPORATION and may not be reproduced without written permission from the appropriate Glen-Gery Representative. The contents of this document are advisory only. Responsibility for accuracy and applicability lies entirely with the Project Designer and/or Owner.



1/8" x 1/2" NOTCH



INDICATES FINISHED FACES