

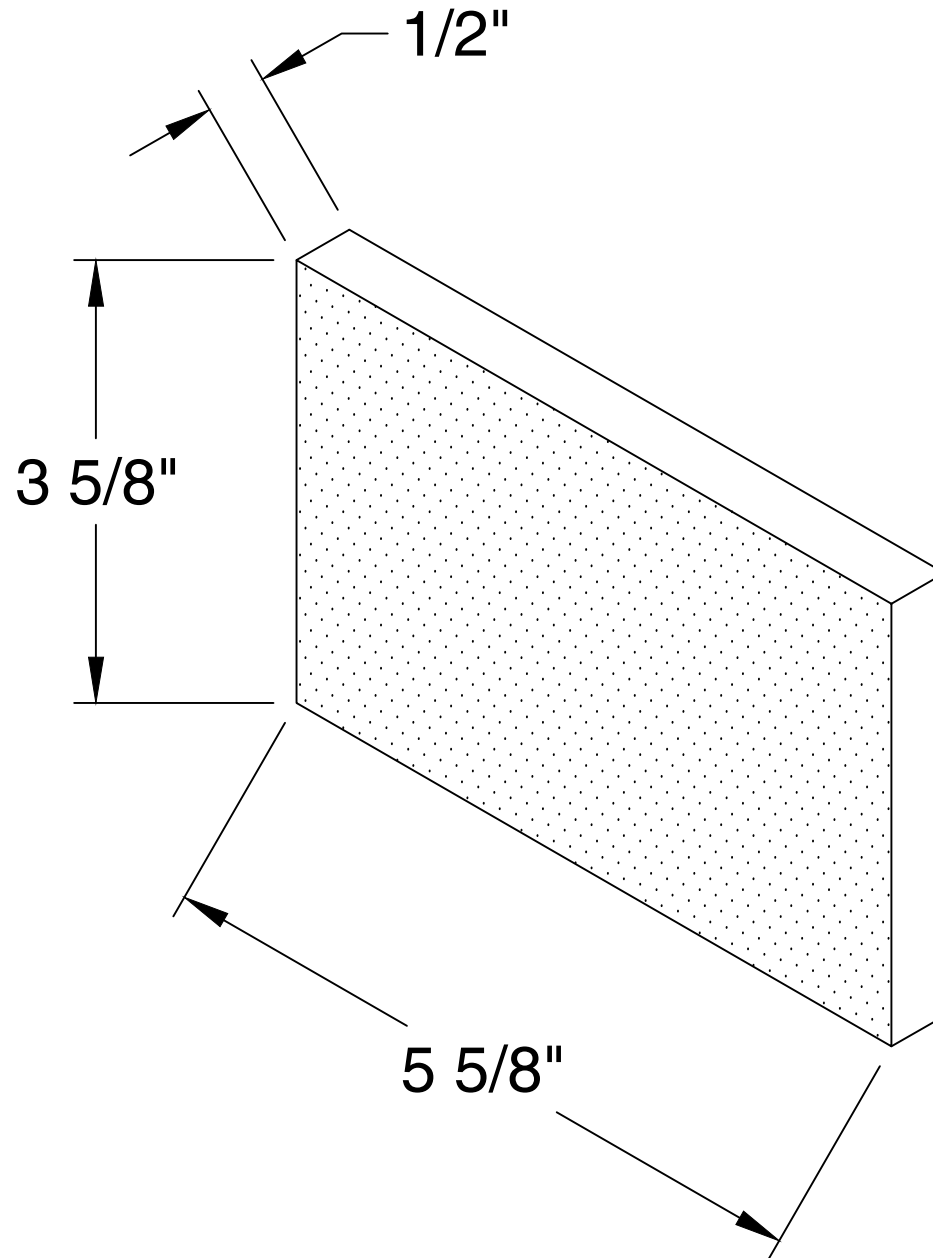
This drawing has been reviewed for dimensions, faces, and specifications and I agree to them.

Qty : \_\_\_\_\_

Signature

Title

Date



 INDICATES FINISHED FACES

DRAWING:  
1/2" THIN BRICK  
UTILITY HALF FLAT

PROJECT:

PAGE:                      DATE:

ARCHITECT:

CUSTOMER:

SALES REP:

SALES OFFICE:

PLANT:

BRICK NAME:

BRICK TYPE:

TEXTURE:

NUMBER OF FINISHED FACES:                      1

TEXTURE DIRECTION:                      PLANT OPTION

CORING:

SIZE:                      UTILITY                      BOND:

ASTM STANDARD:                      C216, TBS, SW

COMPUTER FILE:

DRAWN BY:                      KEVIN LINDSTROM

This document is the property of GLEN-GERY CORPORATION and may not be reproduced without written permission from the appropriate Glen-Gery Representative. The contents of this document are advisory only. Responsibility for accuracy and applicability lies entirely with the Project Designer and/or Owner.