

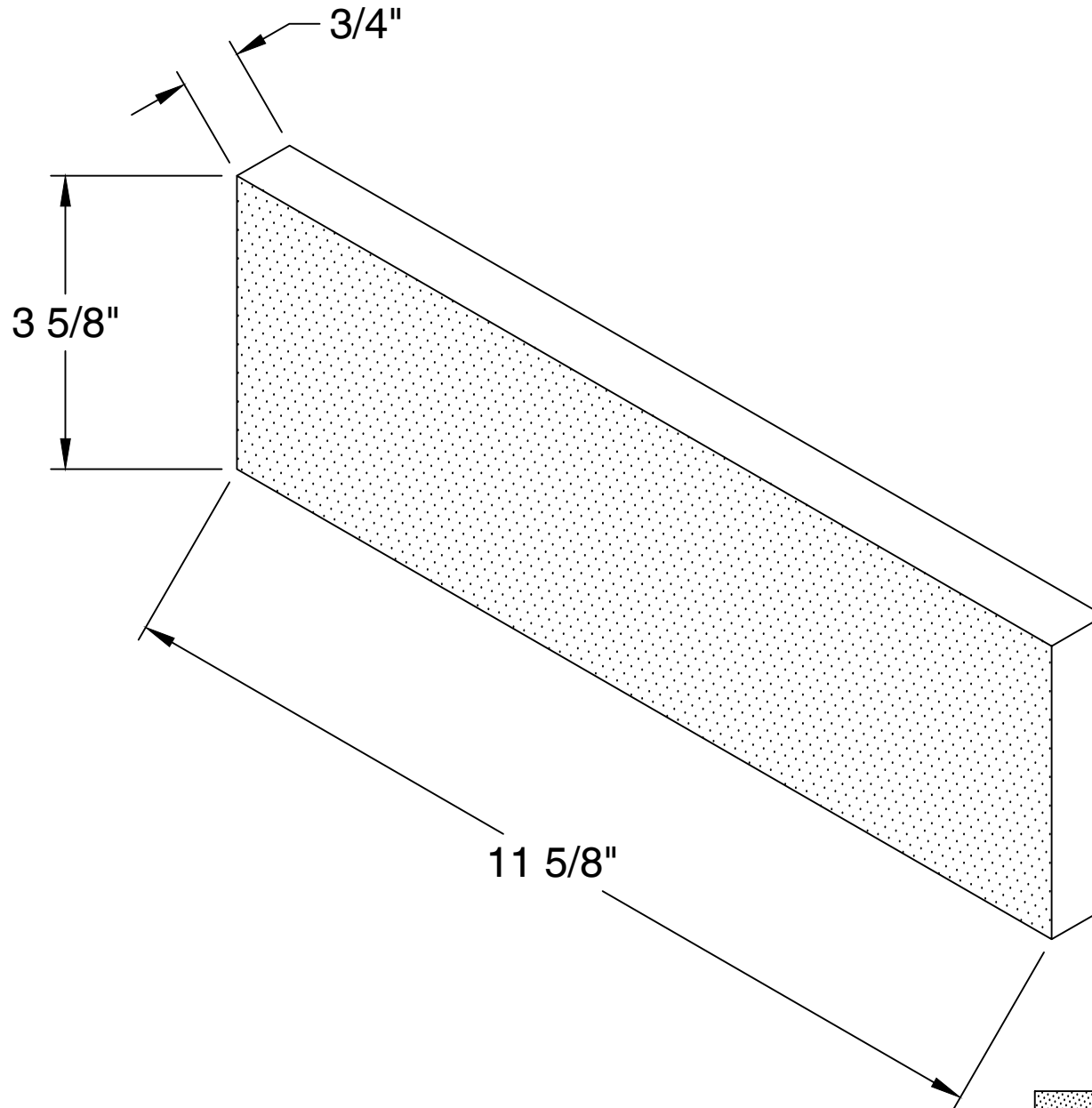
This drawing has been reviewed for dimensions, faces, and specifications and I agree to them.

Qty : _____

Signature _____

Title _____

Date _____



 INDICATES FINISHED FACES

DRAWING: 3/4" THIN BRICK UTILITY FLAT	
PROJECT:	
PAGE:	DATE:
ARCHITECT:	
CUSTOMER:	
SALES REP:	
SALES OFFICE:	
PLANT:	
BRICK NAME:	
BRICK TYPE:	
TEXTURE:	
NUMBER OF FINISHED FACES:	1
TEXTURE DIRECTION:	PLANT OPTION
CORING:	
SIZE:	UTILITY BOND:
ASTM STANDARD:	C216, TBS, SW
COMPUTER FILE:	
DRAWN BY:	KEVIN LINDSTROM

This document is the property of GLEN-GERY CORPORATION and may not be reproduced without written permission from the appropriate Glen-Gery Representative. The contents of this document are advisory only. Responsibility for accuracy and applicability lies entirely with the Project Designer and/or Owner.