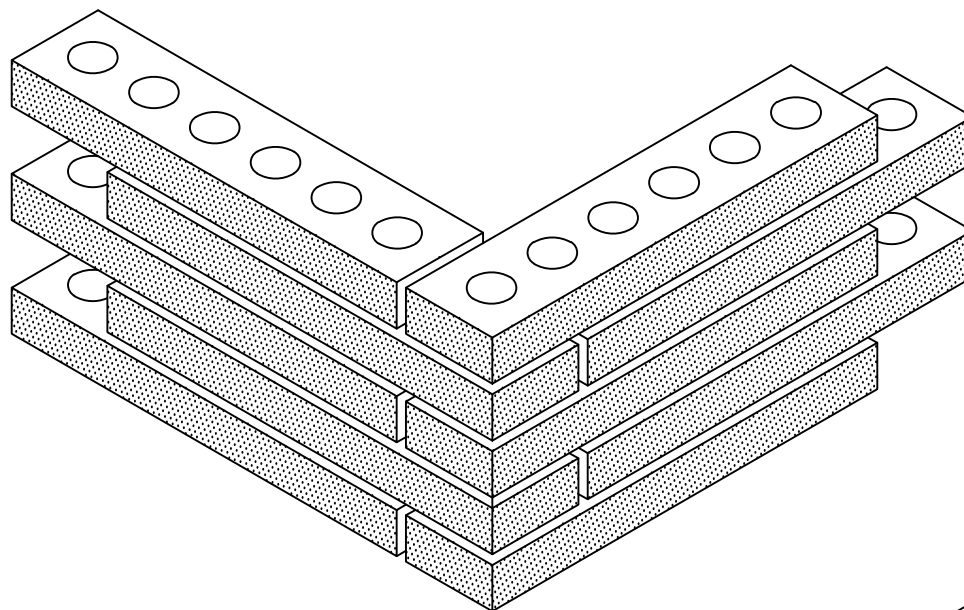
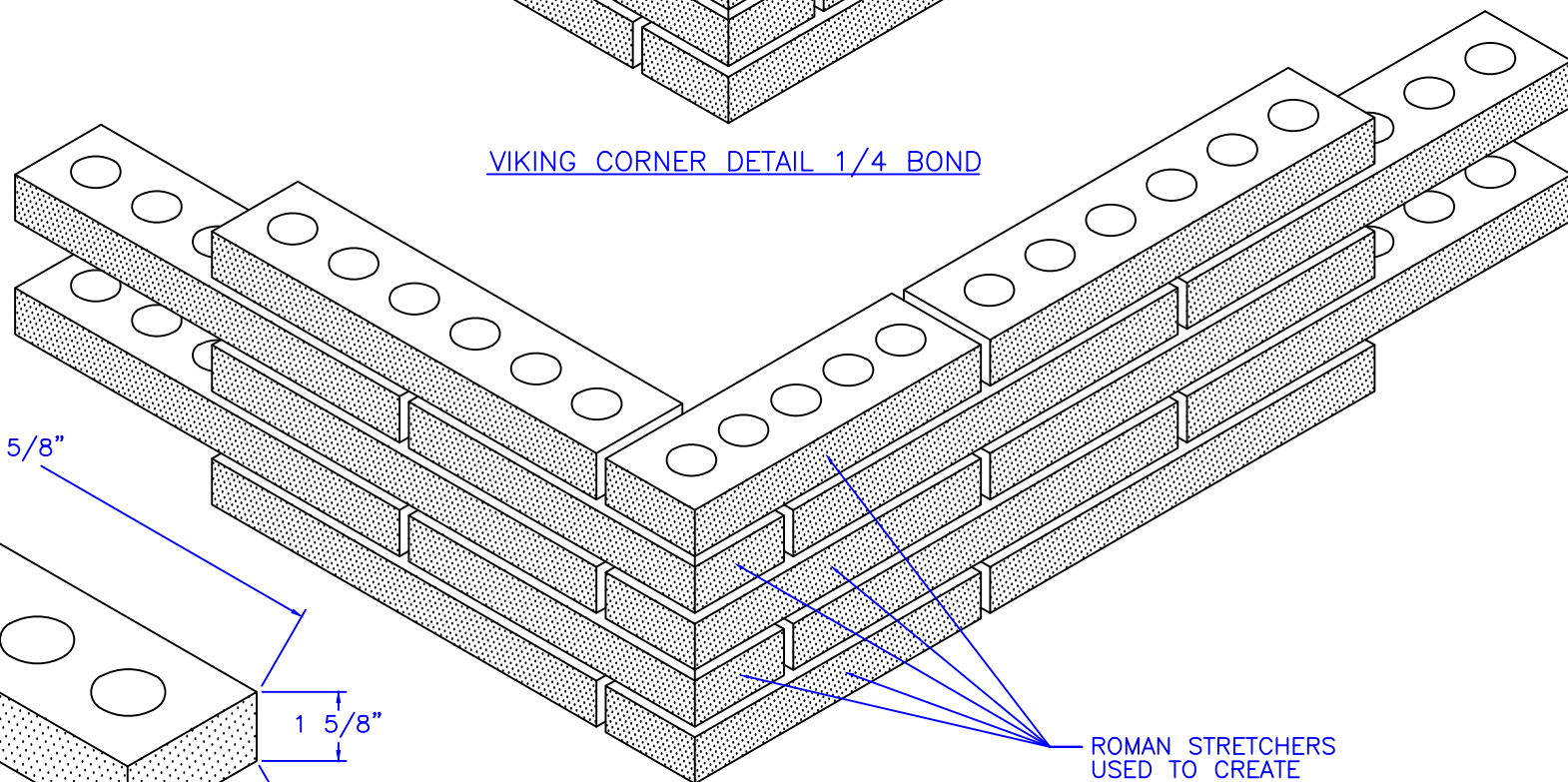




GLEN-GERY BRICK VIKING SERIES INFO

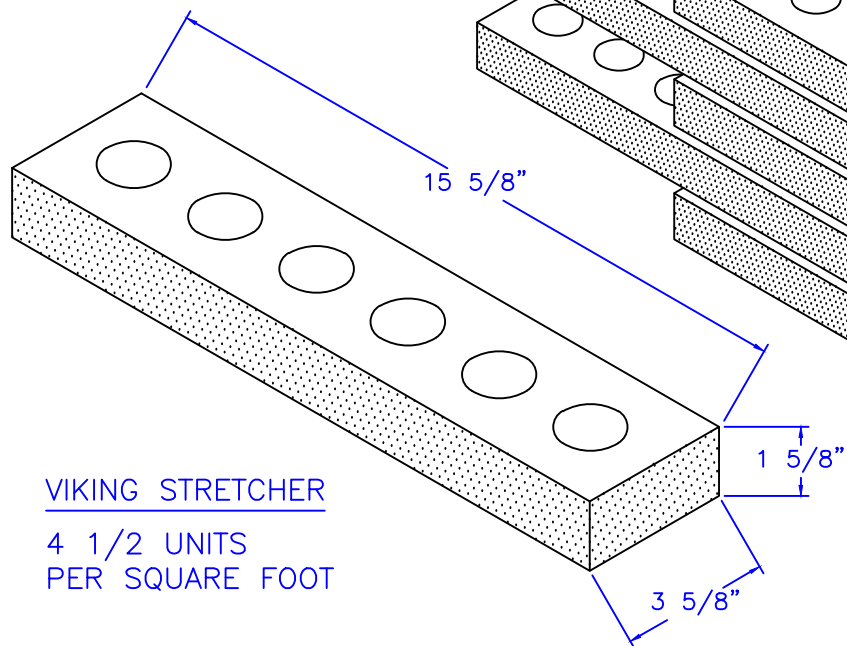


VIKING CORNER DETAIL 1/4 BOND



VIKING CORNER DETAIL 1/2 BOND

ROMAN STRETCHERS
USED TO CREATE
1/2 BOND PATTERN



VIKING STRETCHER
4 1/2 UNITS
PER SQUARE FOOT