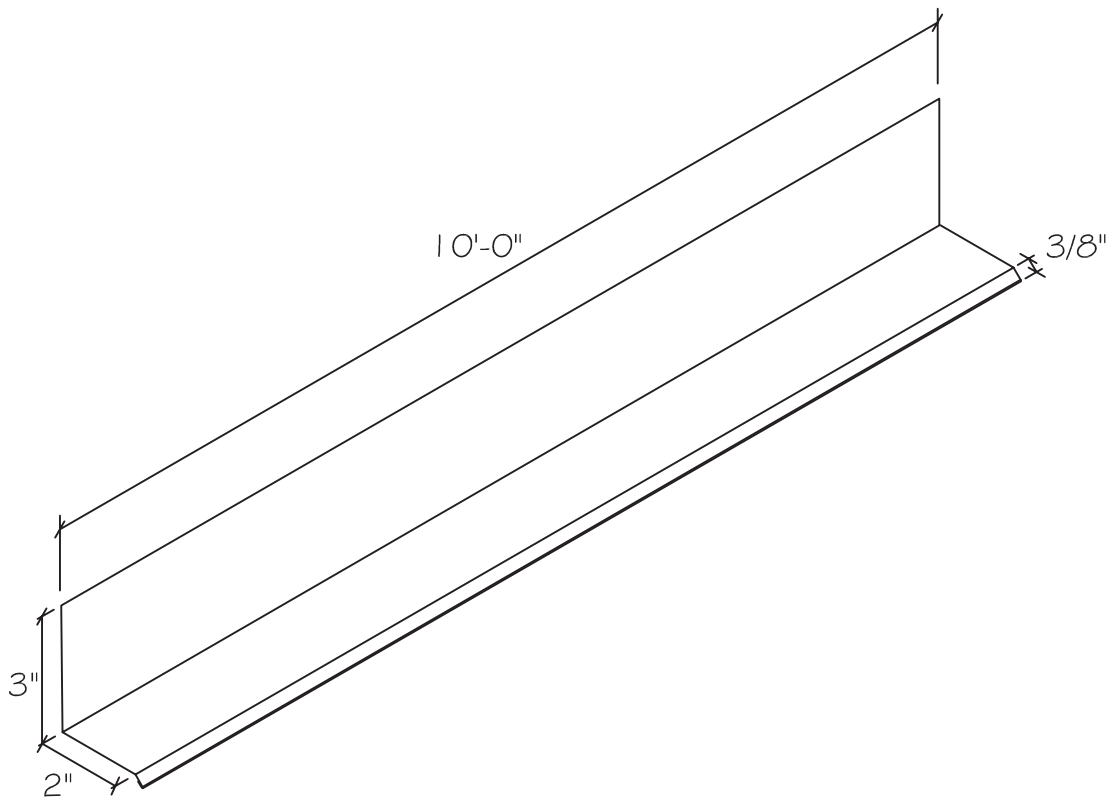




THIN TECH®



STARTER ANGLE
- 26GA. x 10'-0" LG. STAINLESS STEEL ANGLE

| | | |
|-------------------------------|--------------------|----------------------|
| PIECE QUANTITY: | PROJECT: | NO: |
| | LOCATION: 05/17/17 | SA-2 |
| | C/O: GLEN - GERY | ISSUE DATE: 05/17/17 |
| DESCRIPTION: 2" STARTER ANGLE | SCALE: N.T.S. | |