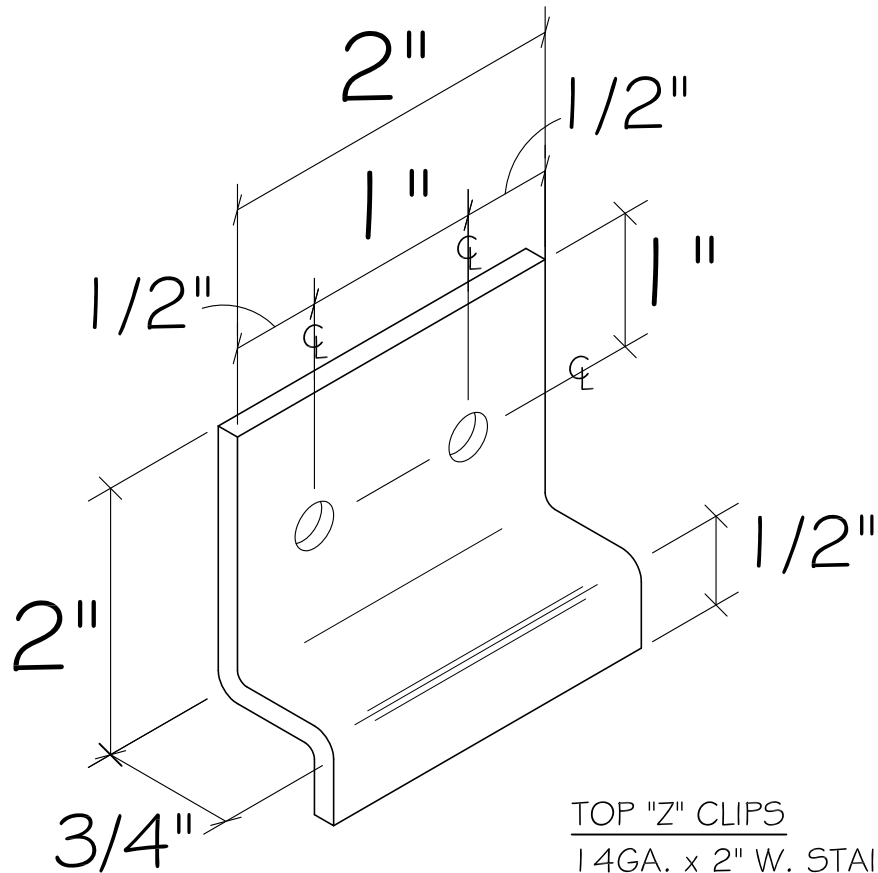


THIN TECH[®]



TOP "Z" CLIPS
 14GA. x 2" W. STAINLESS STEEL
 TYPE 304 BENT PLATE WITH
 (2) 1/4" DIA. HOLES

PIECE QUANTITY:	PROJECT:	NO:
	LOCATION: NEW YORK, NEW YORK	Z-1
	C/O: GLEN - GERY	ISSUE DATE: 01/03/12
	DESCRIPTION: "STANDARD COMPONENT PART SHEET"	SCALE: N.T.S.