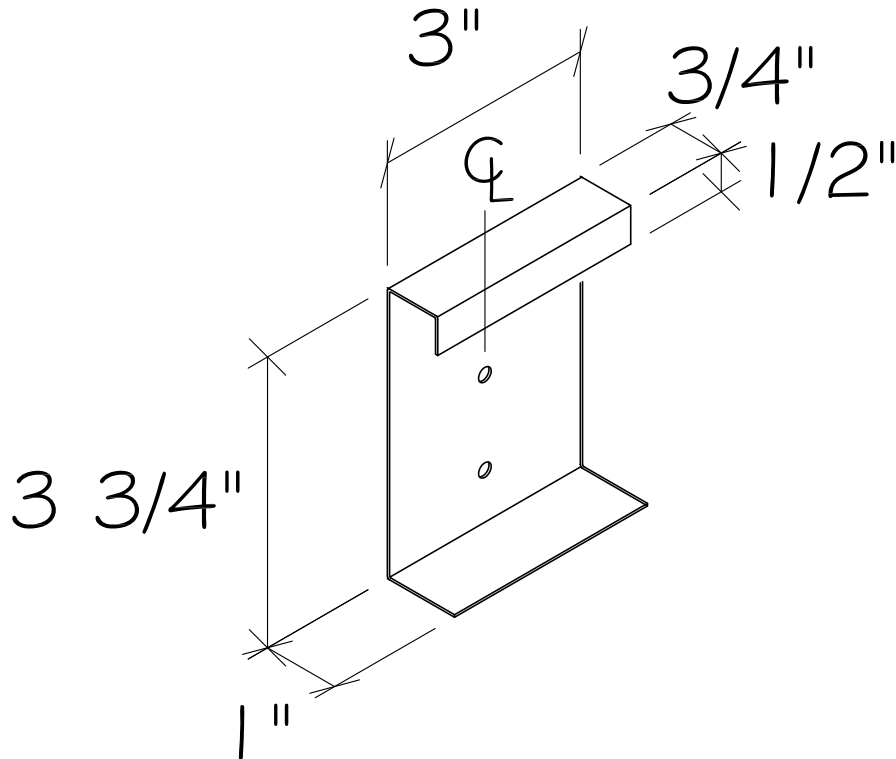




Glen-Gery

THIN TECH[®]



WINDOW SILL CLIPS

22GA. x 3" LG. G90 MILL

GALV. CHANNEL W/ (2) 3/16"Ø HOLES

PIECE QUANTITY:

PROJECT:

LOCATION: NEW YORK, NEW YORK

C/O: GLEN - GERY

DESCRIPTION: "STANDARD COMPONENT PART SHEET"

NO:

WC-1

ISSUE DATE: 01/03/12

SCALE: N.T.S.