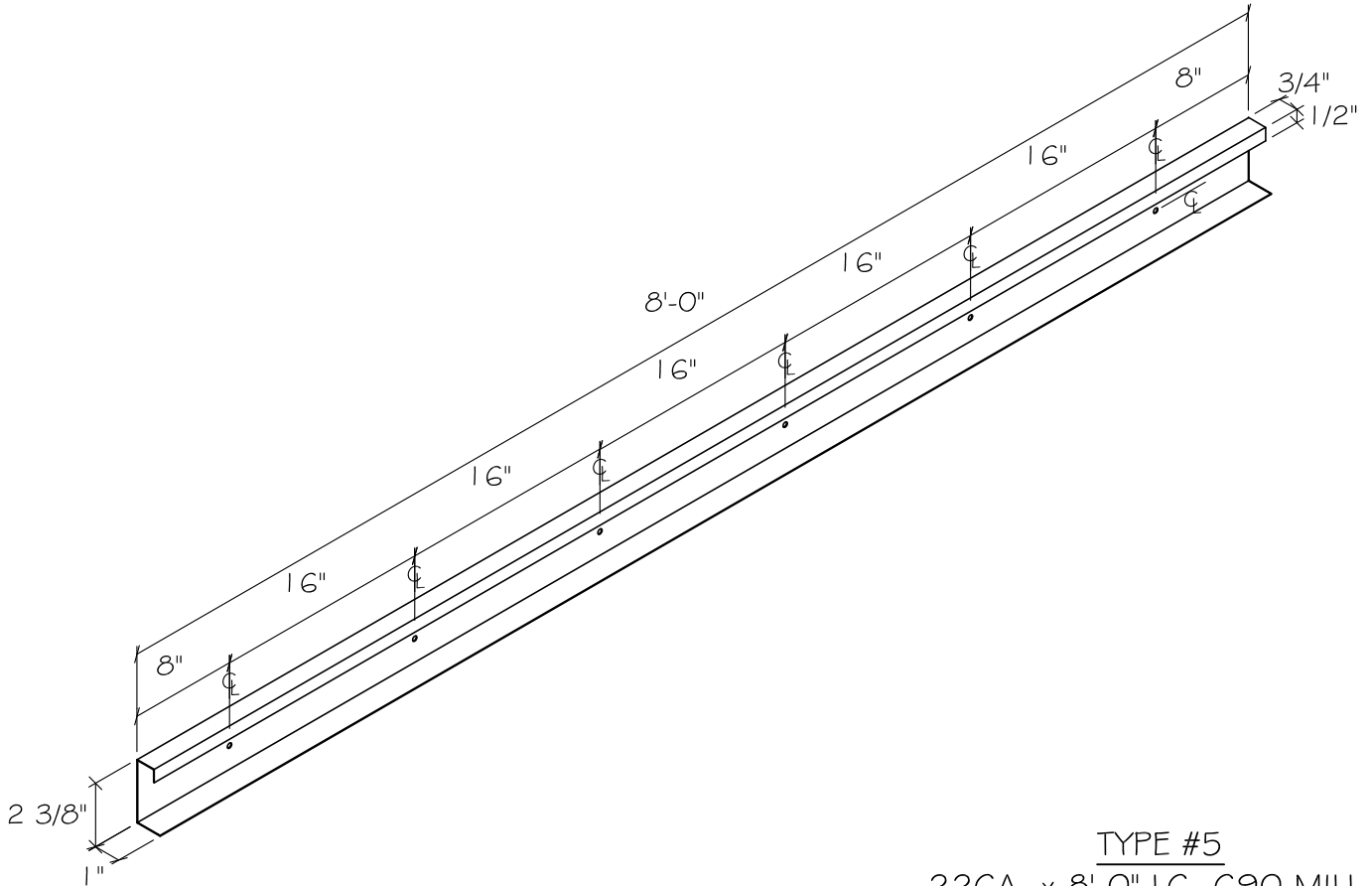




# Glen-Gery

## THIN TECH®



### TYPE #5

22GA. x 8'-0" LG. G90 MILL  
GALV. CHANNEL W/ (6) 3/16"Ø  
HOLES. @ 16" O.C.

PIECE QUANTITY:

PROJECT:

LOCATION: NEW YORK, NEW YORK

C/O: GLEN - GERY

DESCRIPTION: "STANDARD CLIPS TYPE # 5"

NO:

**TYPE #5**

ISSUE DATE: 01/03/12

SCALE: N.T.S.