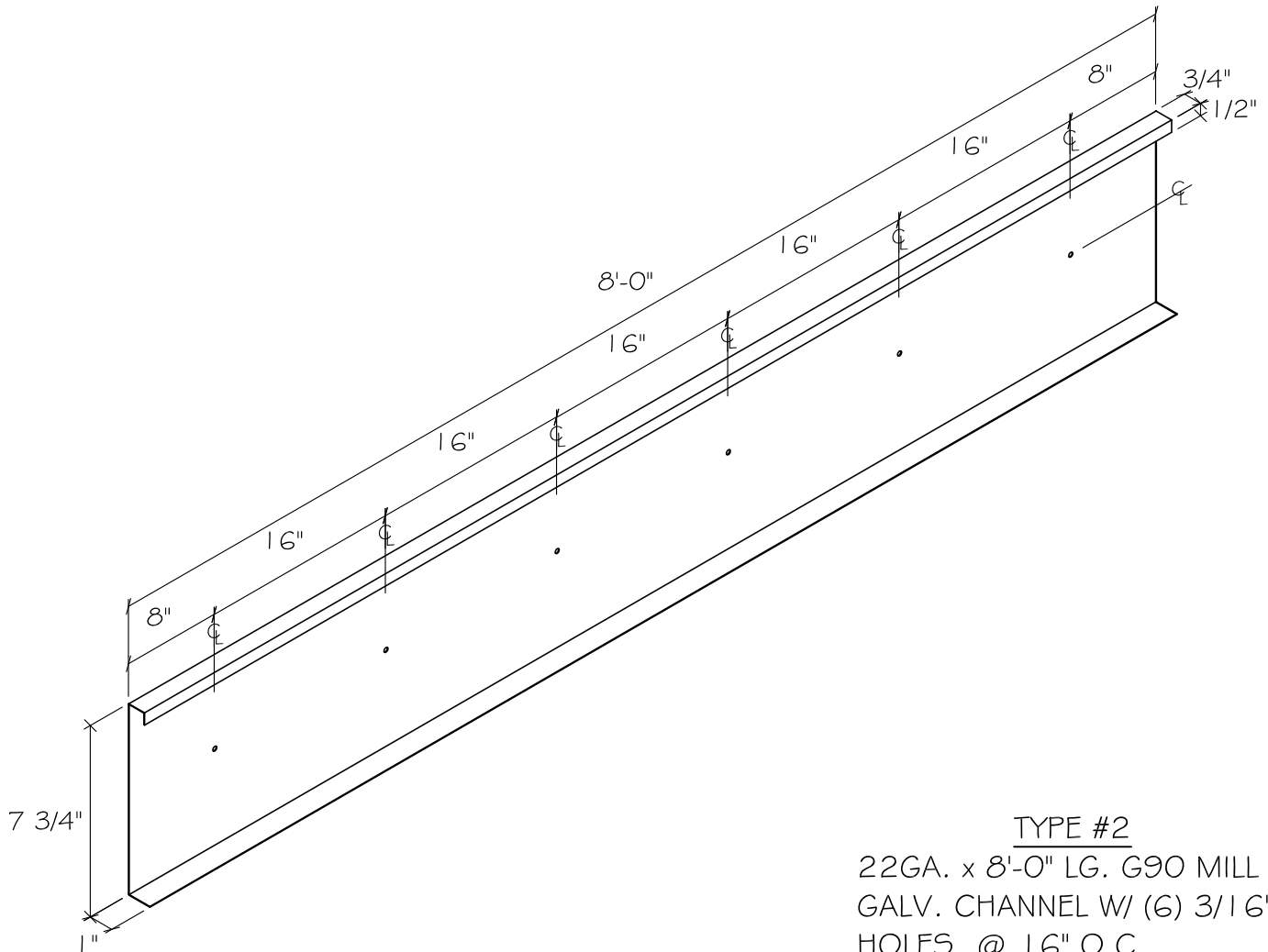


## THIN TECH®



PIECE QUANTITY:

PROJECT:

LOCATION: NEW YORK, NEW YORK

C/O: GLEN - GERY

DESCRIPTION: "STANDARD CLIPS TYPE # 2"

NO:

**TYPE #2**

ISSUE DATE: 01/03/12

SCALE: N.T.S.