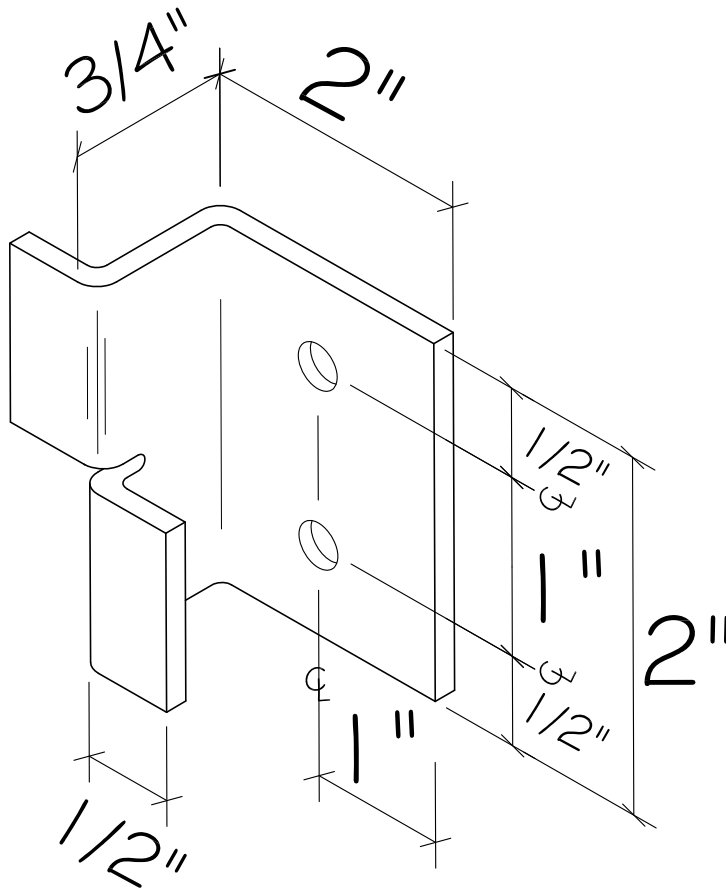


THIN TECH[®]



SIDE "SE" CLIPS

14GA. x 2" W. STAINLESS STEEL
 TYPE 304 SPLIT END BENT PLATE WITH
 (2) 1/4" DIA. HOLES

PIECE QUANTITY:

PROJECT:

LOCATION: NEW YORK, NEW YORK

C/O: GLEN - GERY

DESCRIPTION: "STANDARD COMPONENT PART SHEET"

NO:

SE-1

ISSUE DATE: 01/03/12

SCALE: N.T.S.