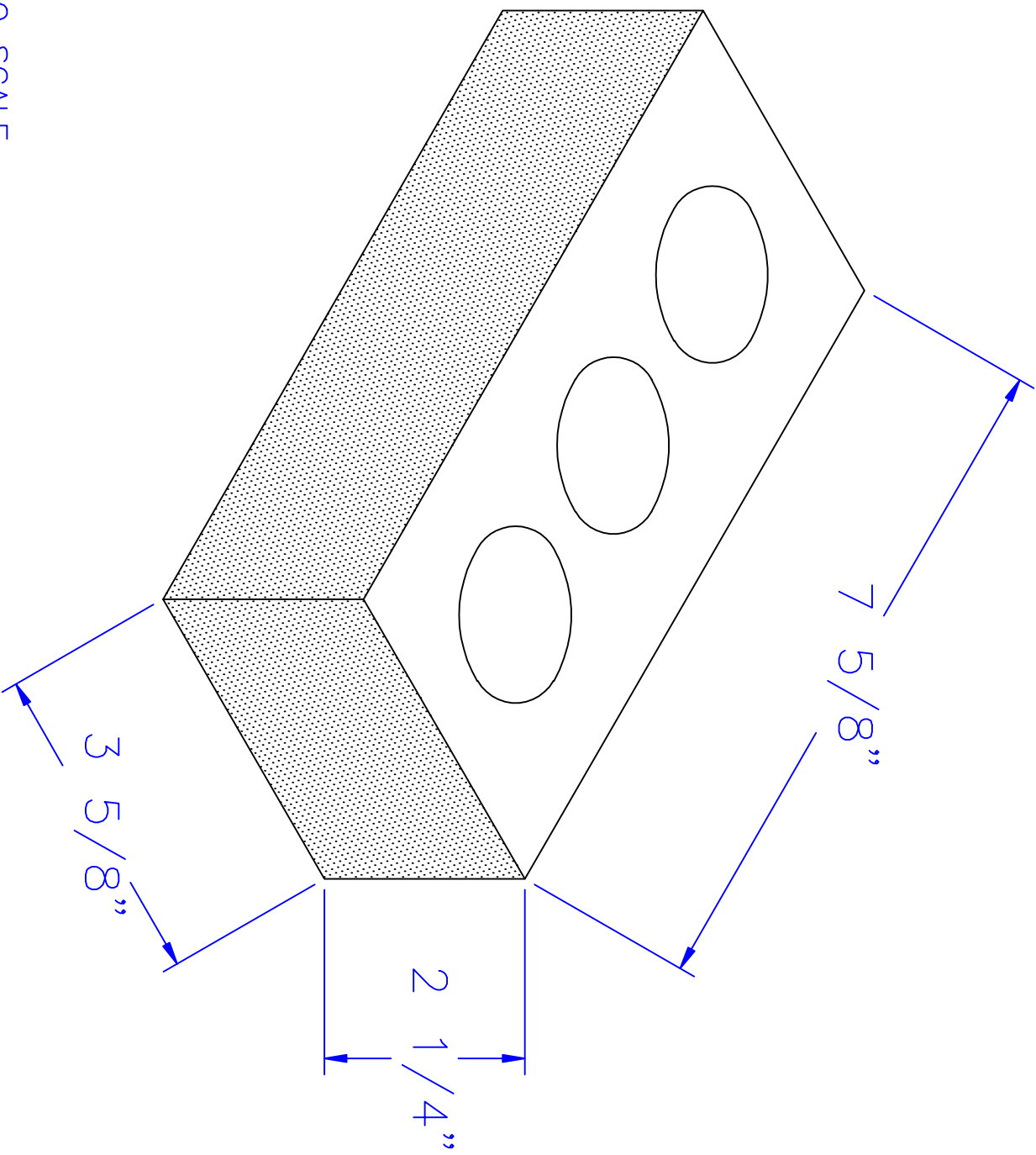


This drawing has been reviewed for dimensions, faces, and specifications and I agree to them

Signature \_\_\_\_\_ Title \_\_\_\_\_ Date \_\_\_\_\_

Qty: \_\_\_\_\_



NOT TO SCALE  
HATCHING DENOTES FINISHED FACES



GLEN-GERY BRICK

DRAWING:  
MODULAR  
ISOMETRIC VIEW

PROJECT:

PAGE: 1 of 1 DATE: 12 JAN 11

ARCHITECT:

CUSTOMER:

SALES REP:

SALES OFFICE:

PLANT:

BRICK NAME:

BRICK TYPE:

TEXTURE:

NUMBER OF FINISHED FACES: 2

TEXTURE DIRECTION: PLANT OPTION

CORING: PLANT OPTION

SIZE: STD. MOD. BOND:

ASTM STANDARD: C216, FBS, SW

COMPUTER FILE:

DRAWN BY: KEVIN LINDSTROM

This document is the property of GLEN-GERY CORPORATION and may not be reproduced without written permission from the appropriate Glen-Gery Representative. The contents of this document are advisory only. Responsibility for accuracy and applicability lies entirely with the Project Designer and/or Owner.