

This drawing has been reviewed for dimensions, faces, and specifications and I agree to them.

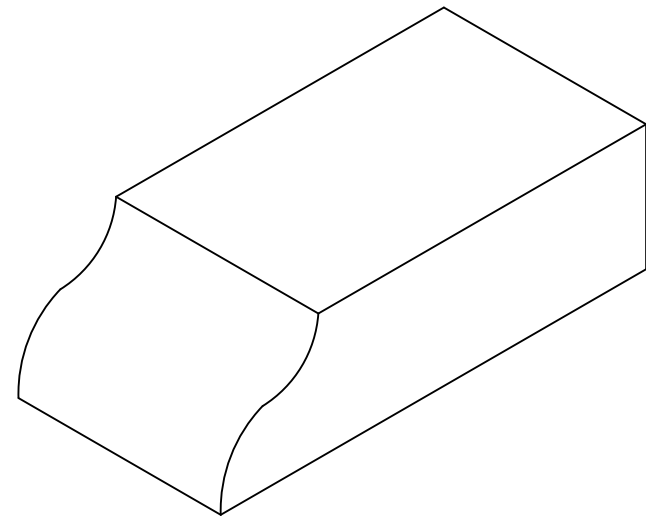
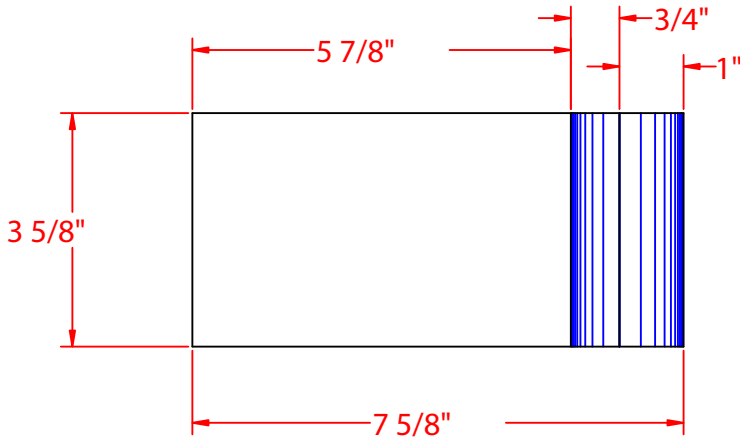
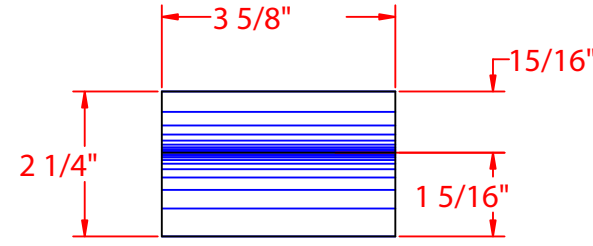
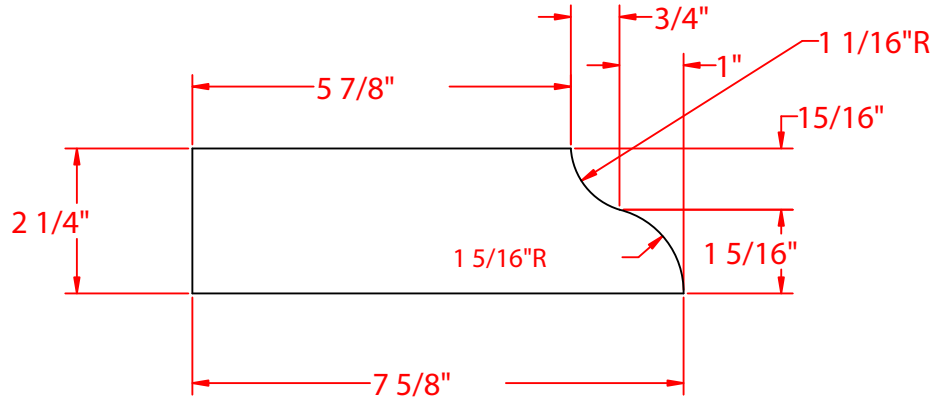
Signature

Date

BE ADVISED! - This drawing has been downloaded from our web-site. Please check all dimensions before assuming it is a standard shape.



GLEN-GERY BRICK



DRAWING:	N/A
PROJECT:	N/A
PAGE:	1 of 1
DATE:	N/A
ARCHITECT:	N/A
CUSTOMER:	N/A
SALES REP:	N/A
SALES OFFICE:	N/A
PLANT:	N/A
BRICK NAME:	N/A
BRICK TYPE:	N/A
TEXTURE:	N/A
NUMBER OF FINISHED FACES:	N/A
TEXTURE DIRECTION:	PLANT OPTION
CORING:	PLANT OPTION
SIZE:	N/A
BOND:	N/A
ASTM STANDARD:	C216, FBS, SW
COMPUTER FILE:	N/A
DRAWN BY:	N/A

This document is the property of GLEN-GERY CORPORATION and may not be reproduced without written permission from the appropriate Glen-Gery Design Center. The contents of this document are advisory only. Responsibility for accuracy and applicability rests entirely with the Project Designer and/or Owner.