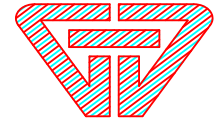
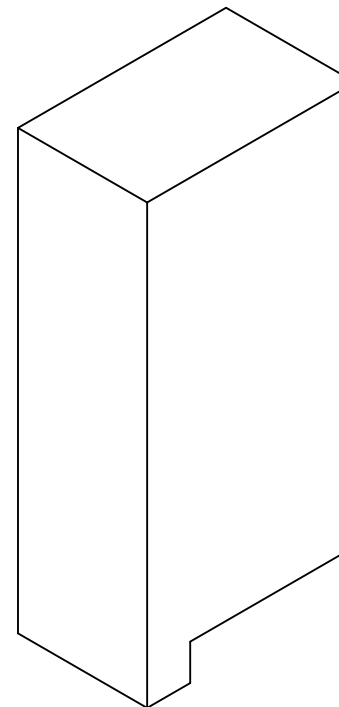
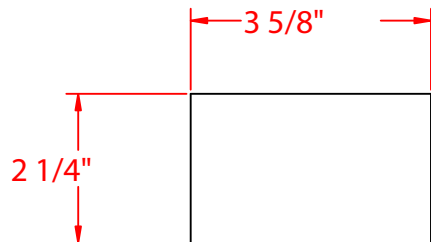
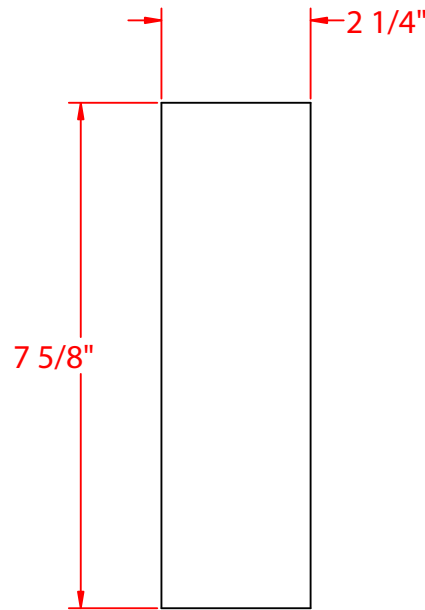
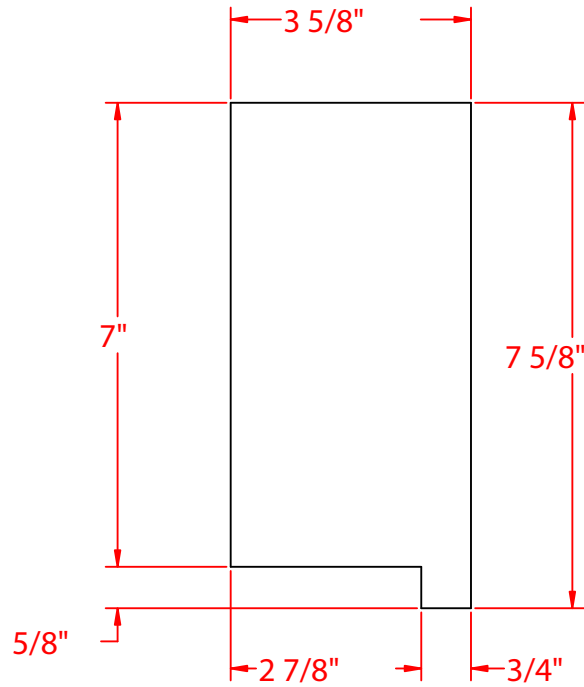


This drawing has been reviewed for dimensions, faces, and specifications and I agree to them.

Signature

Date

BE ADVISED! - This drawing has been downloaded from our web-site. Please check all dimensions before assuming it is a standard shape.



GLEN-GERY BRICK

DRAWING:

STANDARD LP2
LIPPED SOLDIER

PROJECT:

N/A
N/A

PAGE: 1 of 1

DATE: N/A

ARCHITECT: N/A

CUSTOMER: N/A

SALES REP: N/A

SALES OFFICE: N/A

PLANT: N/A

BRICK NAME:

N/A

BRICK TYPE:

N/A N/A

TEXTURE: N/A

NUMBER OF FINISHED FACES:

N/A

TEXTURE DIRECTION:

PLANT OPTION

CORING:

PLANT OPTION

SIZE: N/A

BOND: N/A

ASTM STANDARD:

C216, FBS, SW

COMPUTER FILE:

N/A

DRAWN BY:

N/A

This document is the property of GLEN-GERY CORPORATION and may not be reproduced without written permission from the appropriate Glen-Gery Design Center. The contents of this document are advisory only. Responsibility for accuracy and applicability rests entirely with the Project Designer and/or Owner.