

This document is the property of GLEN-GERY CORPORATION and may not be reproduced without written permission from the appropriate Glen-Gery Personnel. The contents of this document are advisory only. Responsibility for accuracy and applicability rests entirely with the Project Designer and/or Owner.

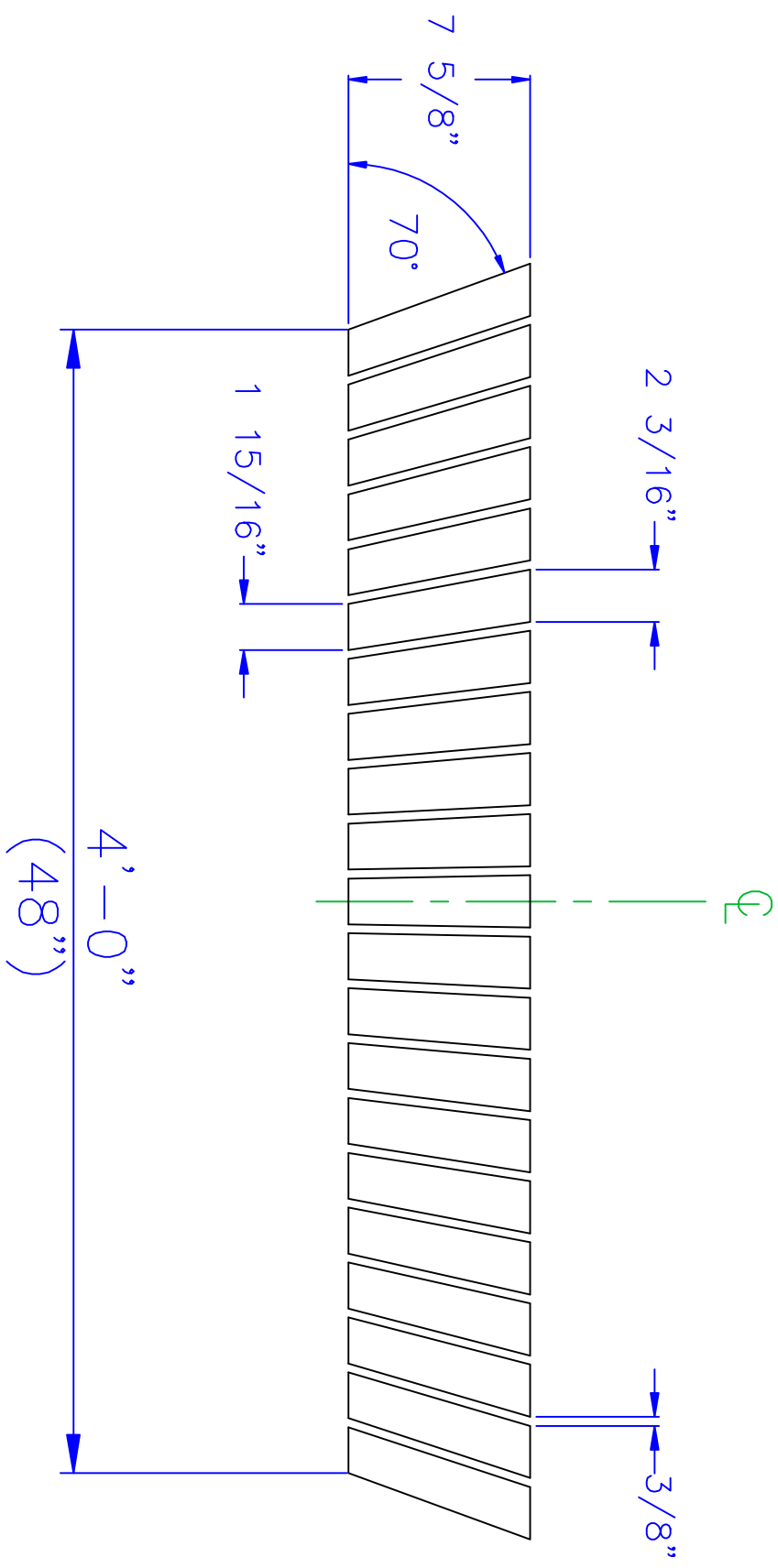


Glen-Gery Design Services  
(717) 854-2697



This drawing has been reviewed for dimensions, faces, and specifications and I agree to them.

Signature \_\_\_\_\_ Date \_\_\_\_\_



ASTM STANDARD: C216 FBA SW	DRAWING: 4'-0" (48") 3 COURSE JAI JACK ARCH	PLANT: YORK	BRICK NAME: PENNSBURY	SALES REP: NON-COMM
TEXTURE: HANDMADE	PROJECT: RESIDENCE BROOKLINE MA	BRICK SIZE: MODULAR	DATE: 10 NOV 11	BED DEPTH: 3 5/8"
		COMPUTER FILE: Y1111N1	DRAWN BY: KEVIN LINDSTROM	PCS. / ARCH: 21